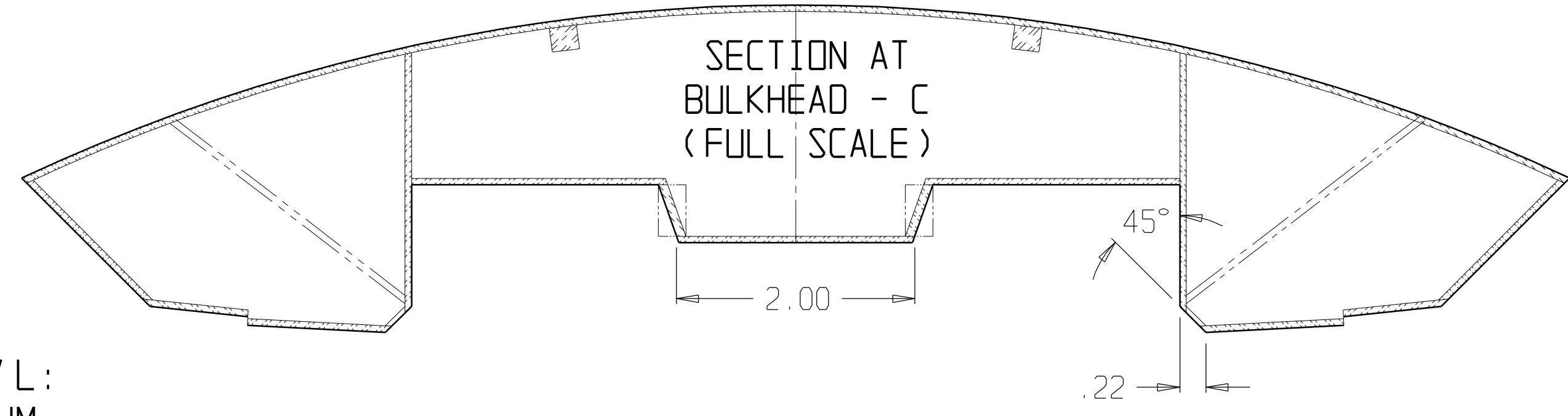
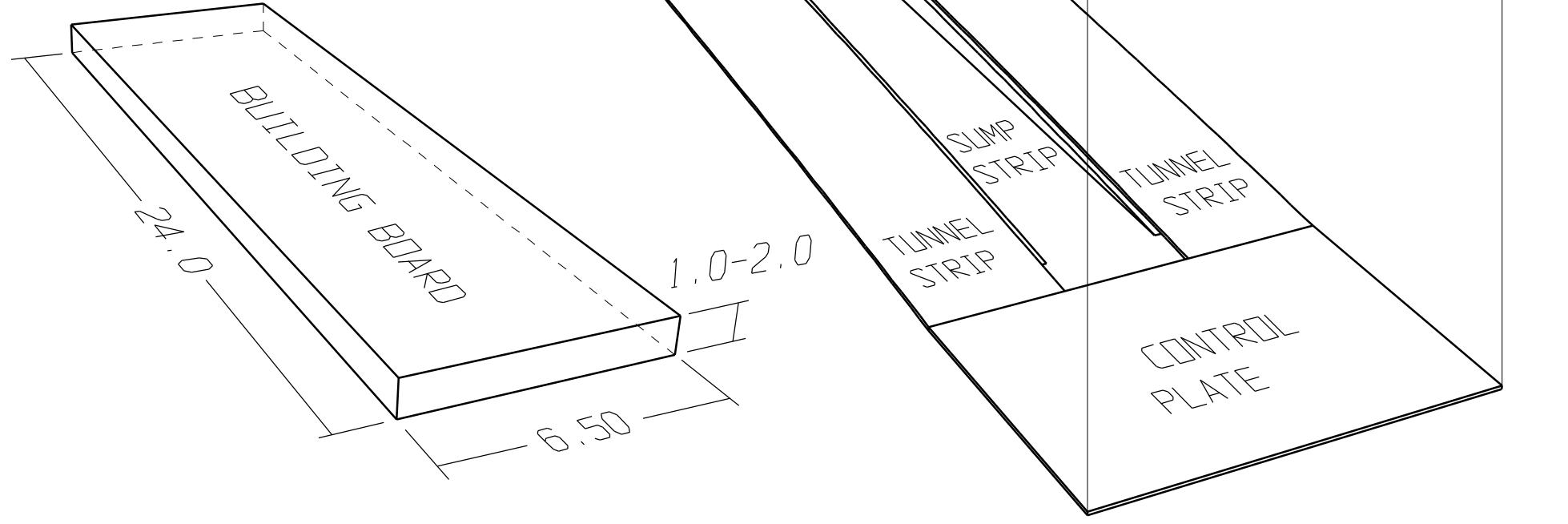
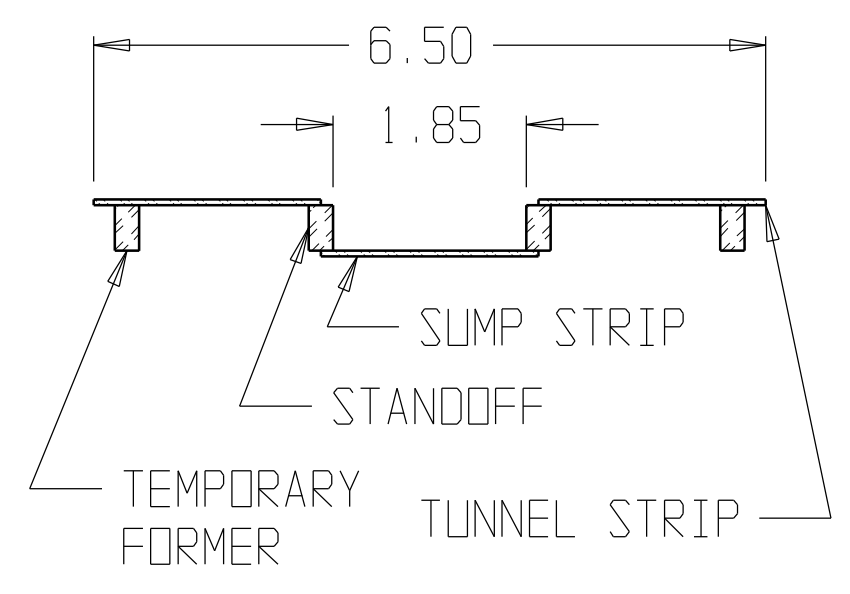
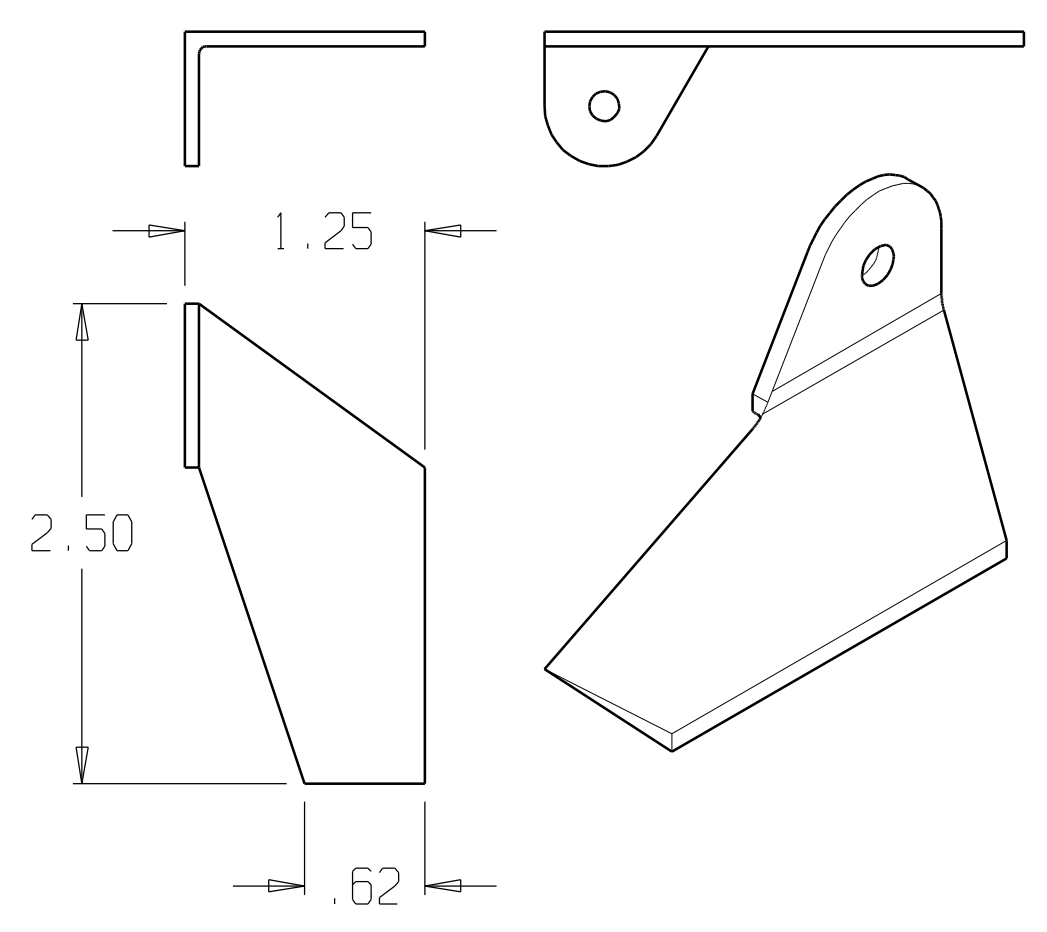


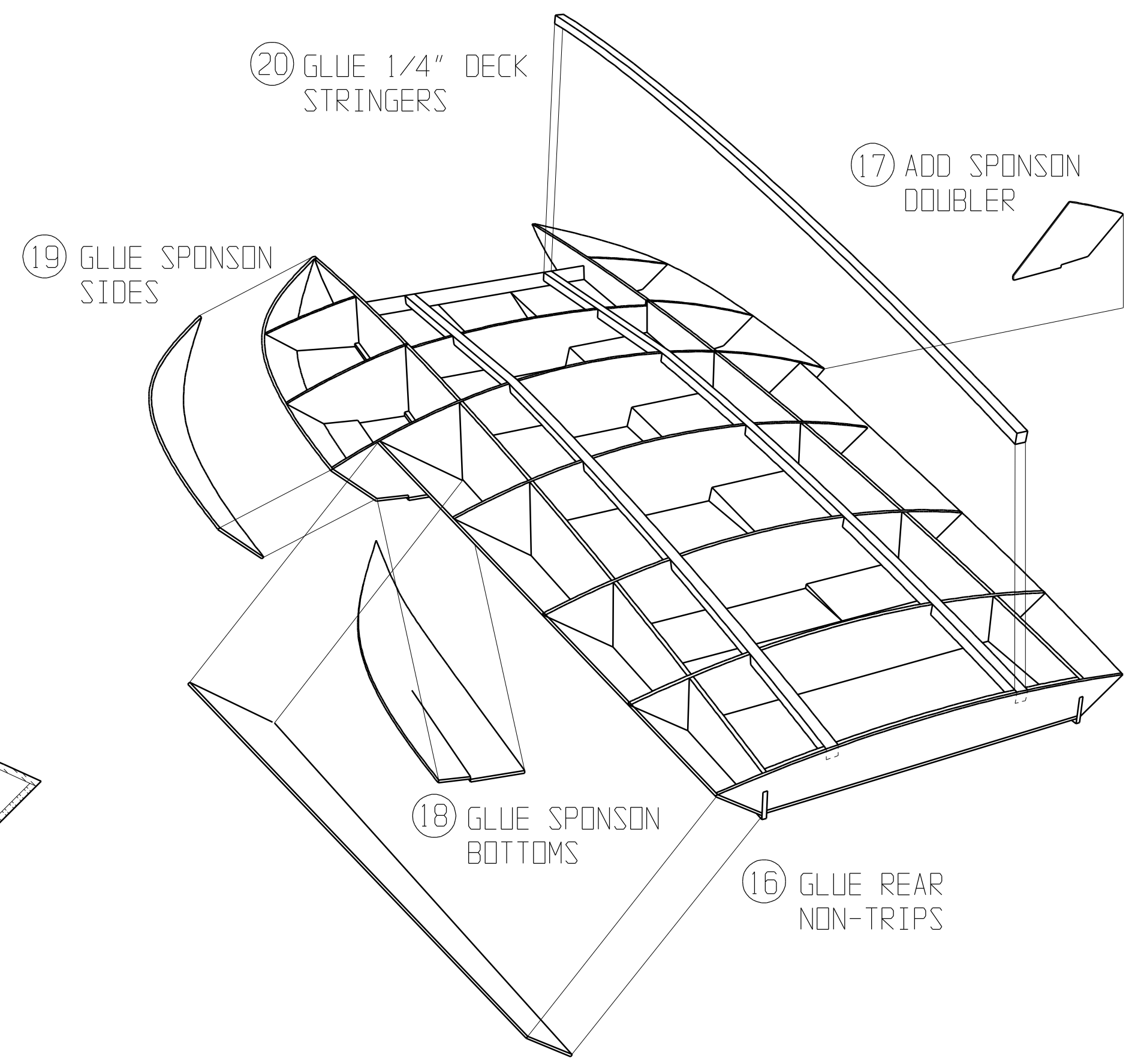
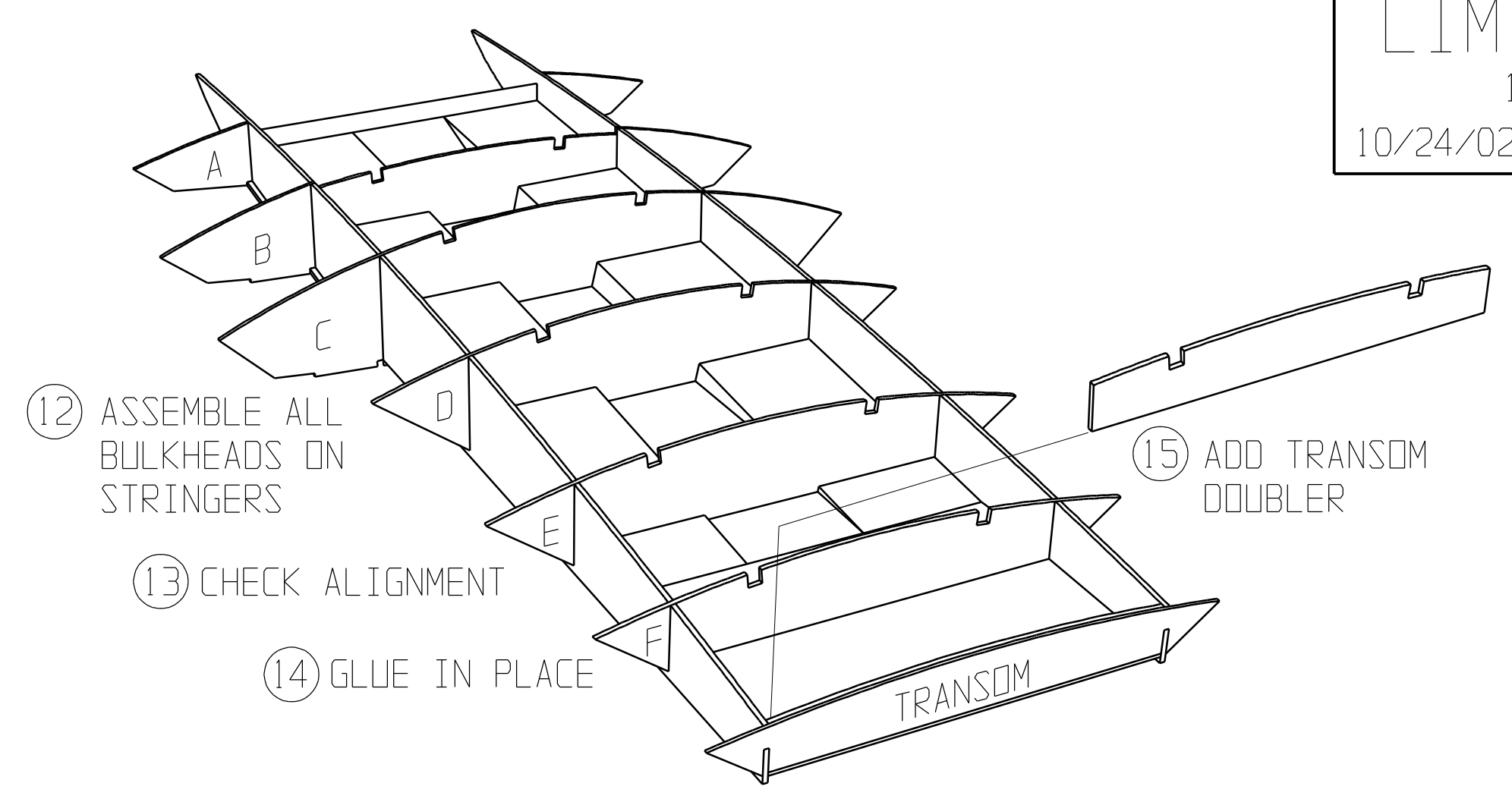
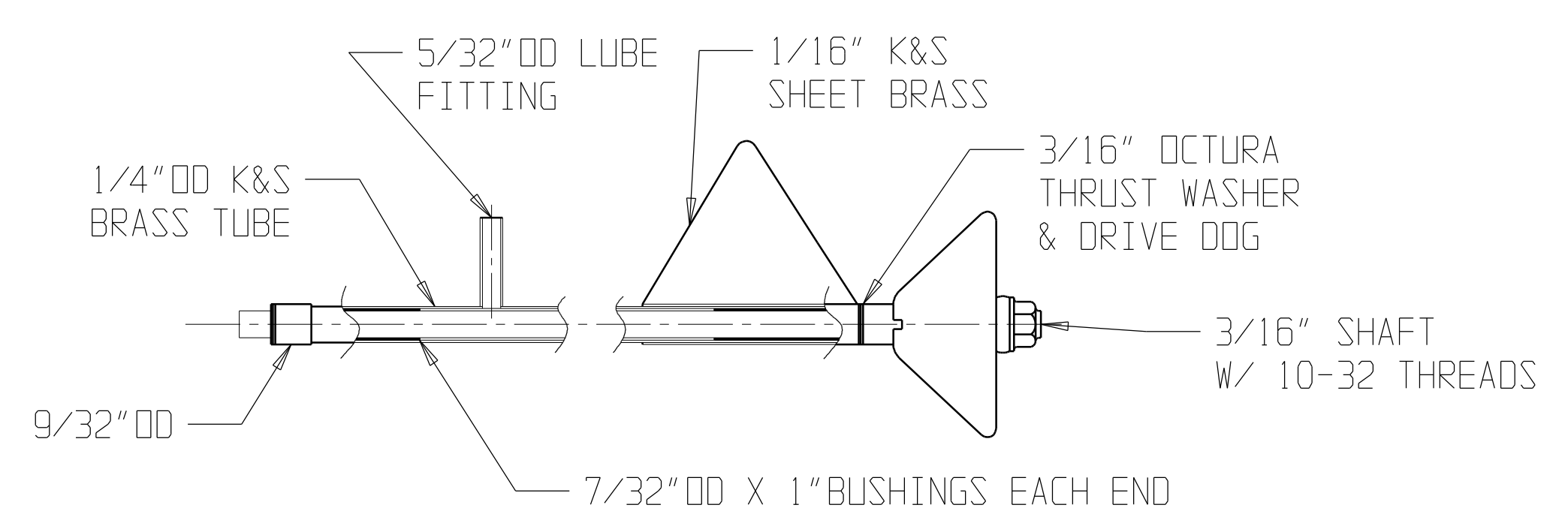
TUNNEL PROFILE AT BULKHEAD - C



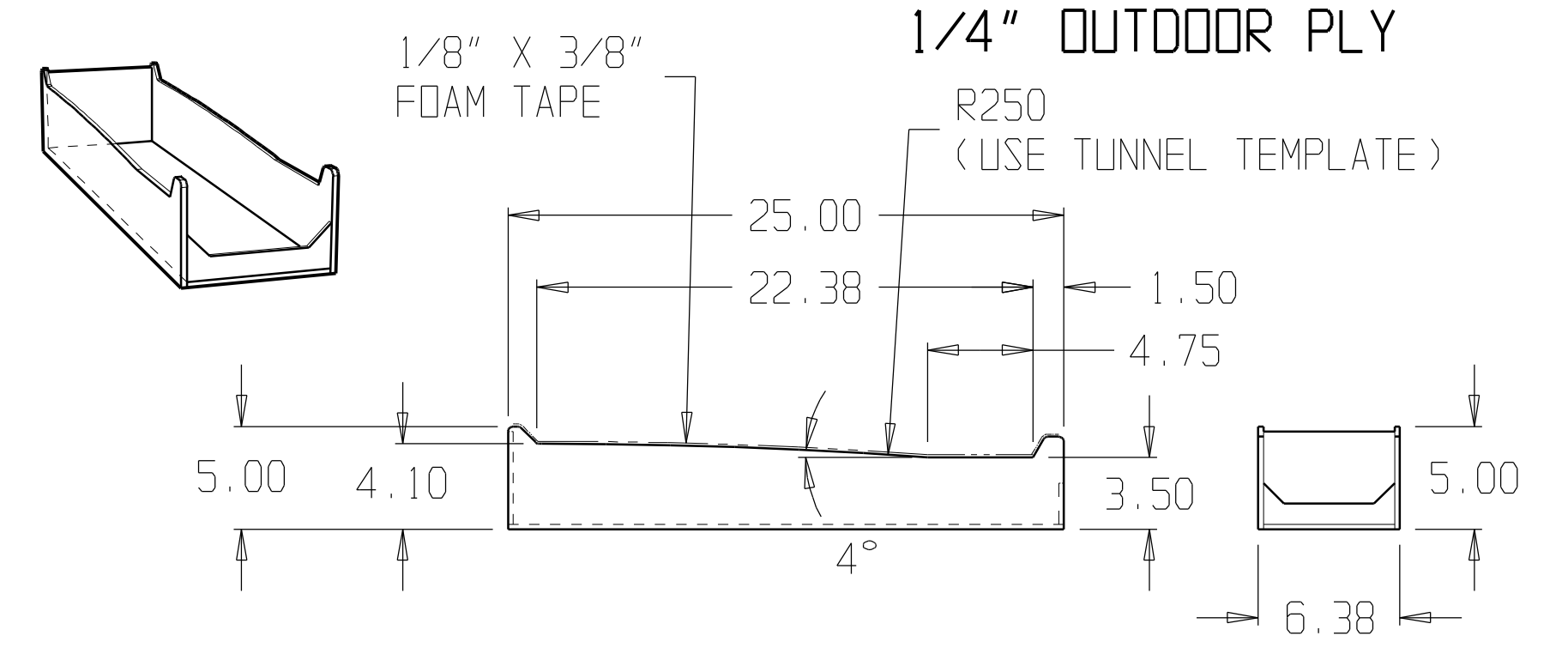
TURN FIN MAT'L:
 .09 - .12 ALUM



DRIVELINE DETAIL



BOAT STAND
 1/4" OUTDOOR PLY



<p>2.19X17.62</p> <p>TUNNEL STRIPS 3/32" BALSA 2 REQ'D.</p>	<p>2.06X17.62</p> <p>SUMP STRIP 3/32" BALSA 1 REQ'D.</p>
---	--