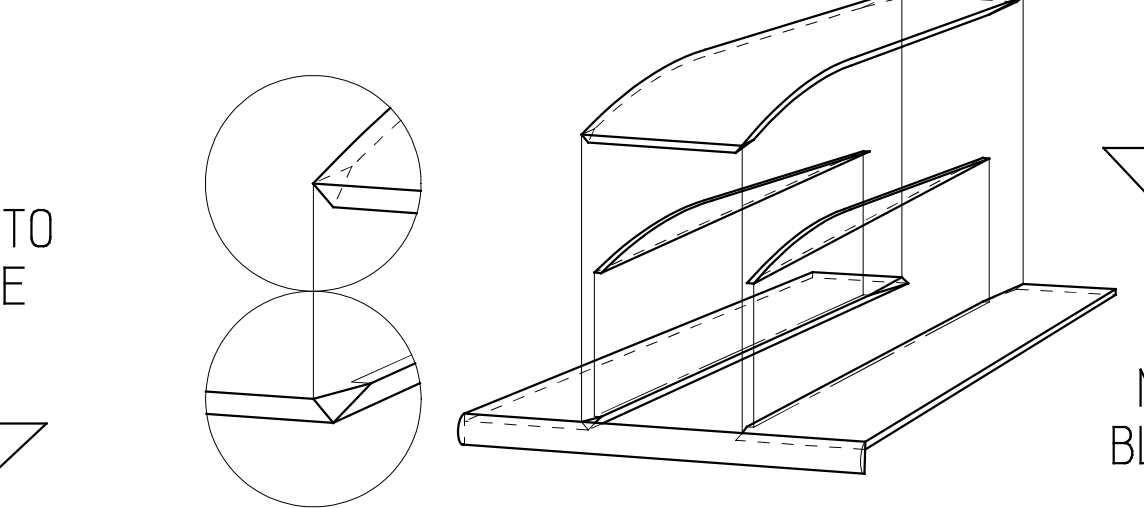
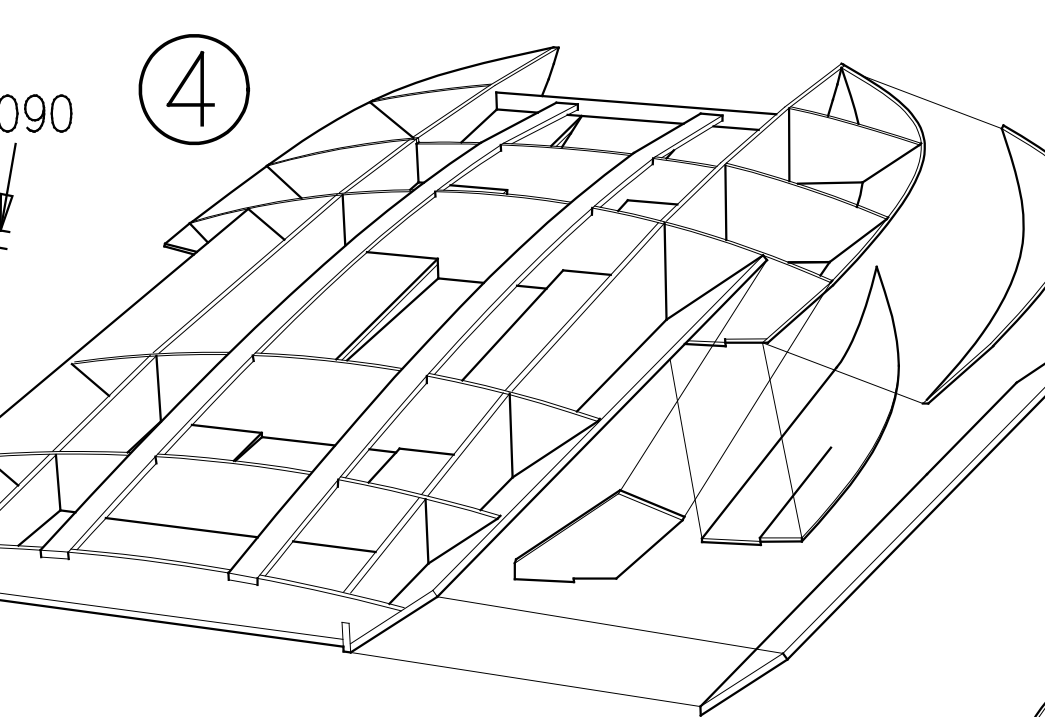


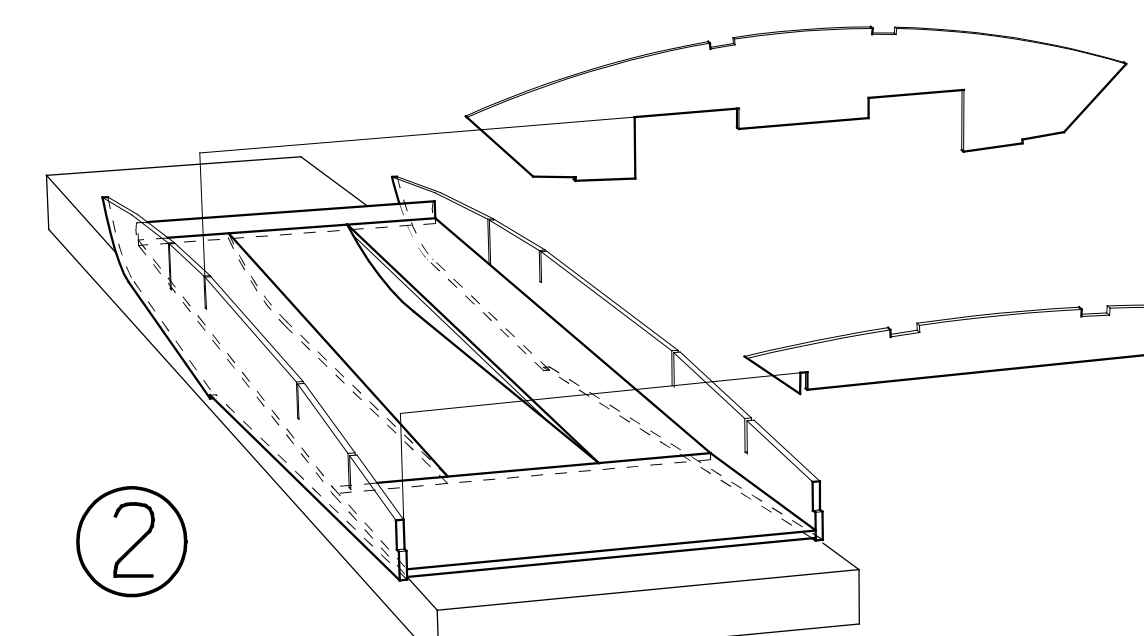
① GLUE STANDOFFS TO TUNNEL STRIPS
GLUE SHAPED SUMP STRIP TO STANDOFFS
GLUE NOSE PIECES



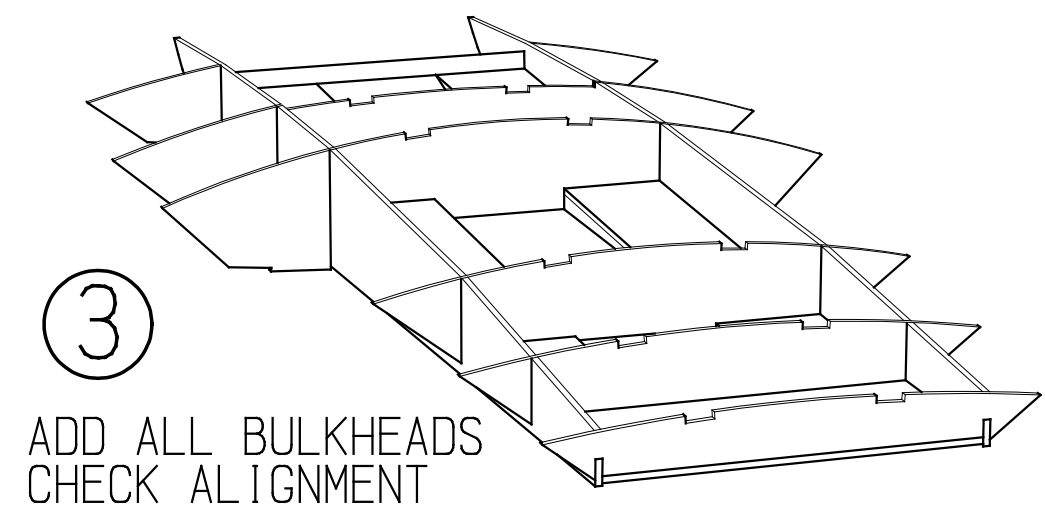
GLUE REAR NON-TRIP PANELS
GLUE DECK STRIPS TO TOP OF FRAMEWORK
GLUE SPONSON BOTTOMS THEN SIDES
GLUE SPONSON DOUBLER



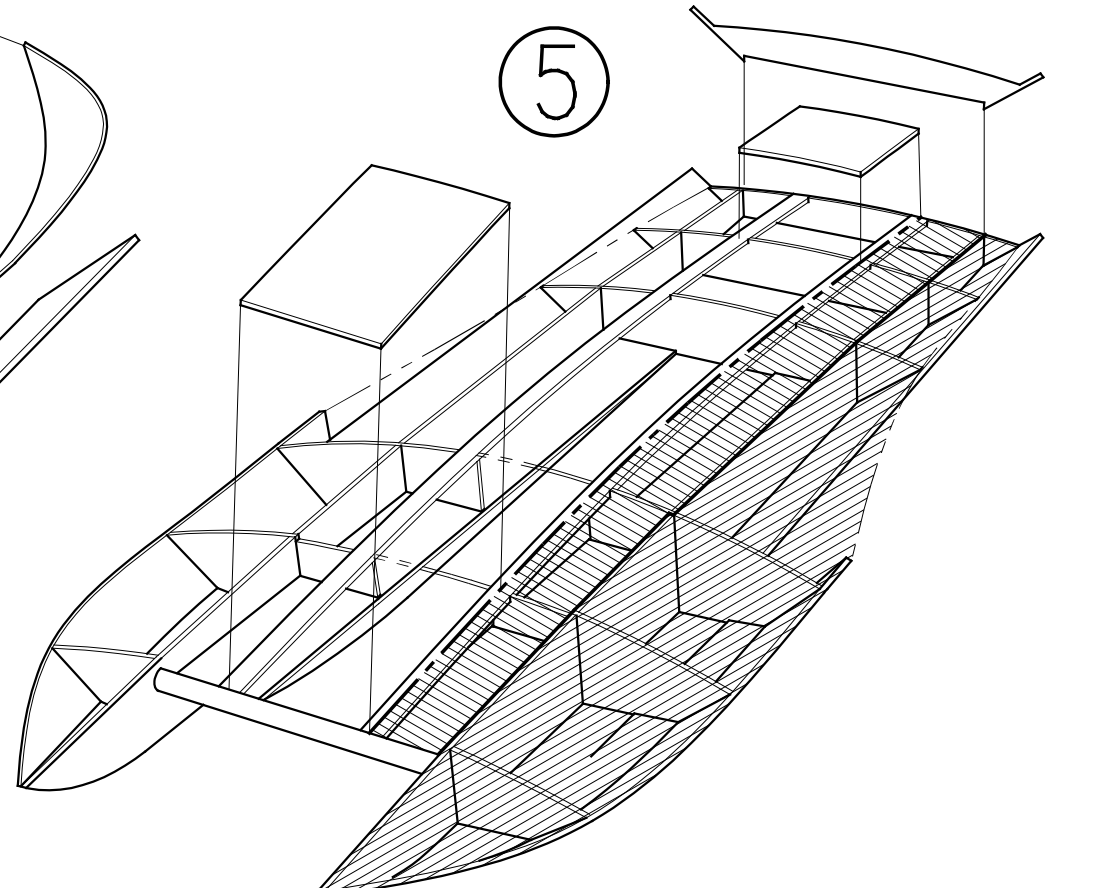
CHECK DECK FIT, TRIM AS NEEDED
GLUE DECKING WITH CONTACT CEMENT
REMOVE CENTERS OF BULKHEADS B & C
GLUE FRONT & REAR DECK CENTERS
GLUE TRANSOM DOUBLER



② SET TUNNEL & CONTROL PLATE ON BUILDING BOARD
ASSEMBLE STRINGERS, BULKHEAD-C AND TRANSOM
CHECK ALIGNMENT AND TACK GLUE



③ ADD ALL BULKHEADS
CHECK ALIGNMENT
FINAL GLUE ALL JOINTS



1/16th SCALE
UNLIMITED HYDROPLANE
FOR 2-S LiPo ELECTRIC POWER
03/17/15 by: G.Finlay SHEET 2 of 2