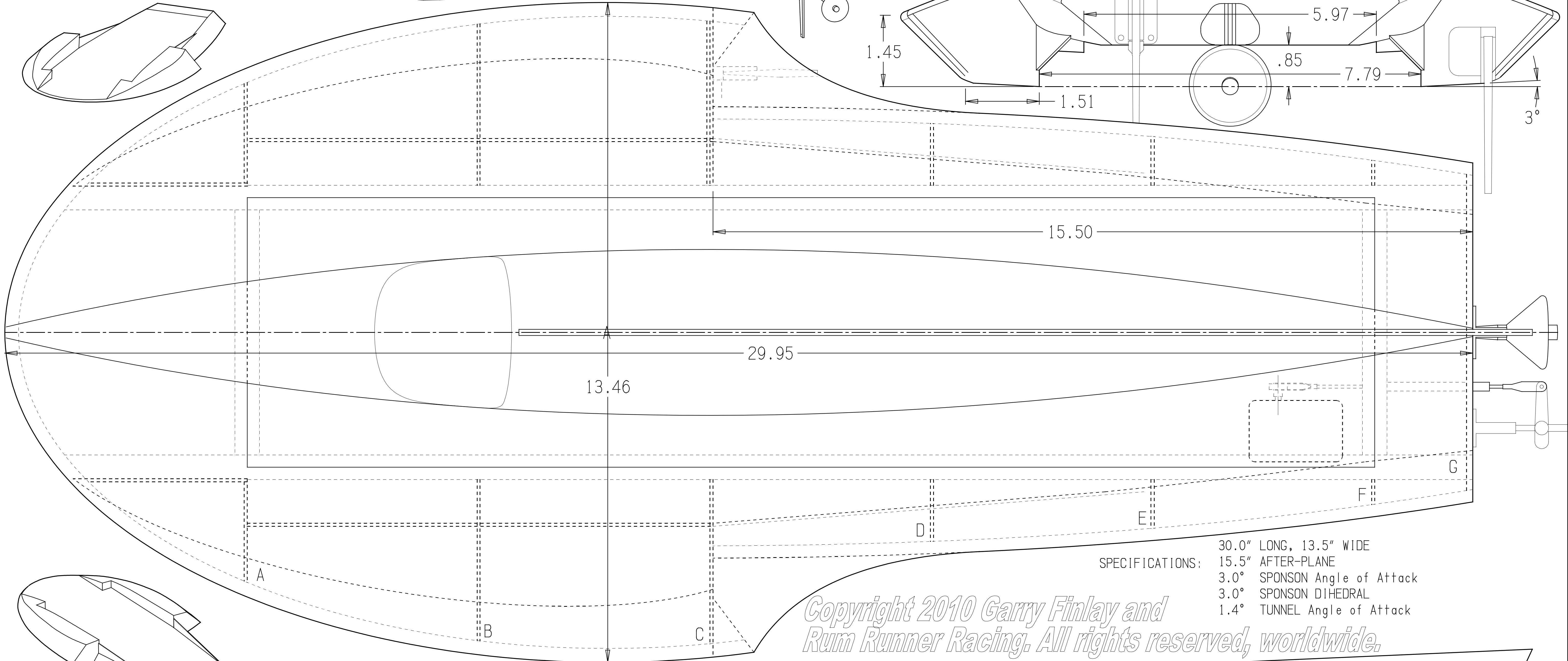
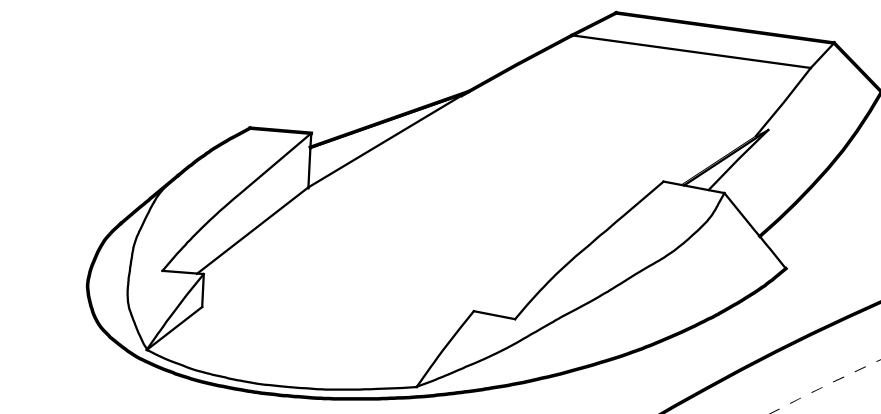
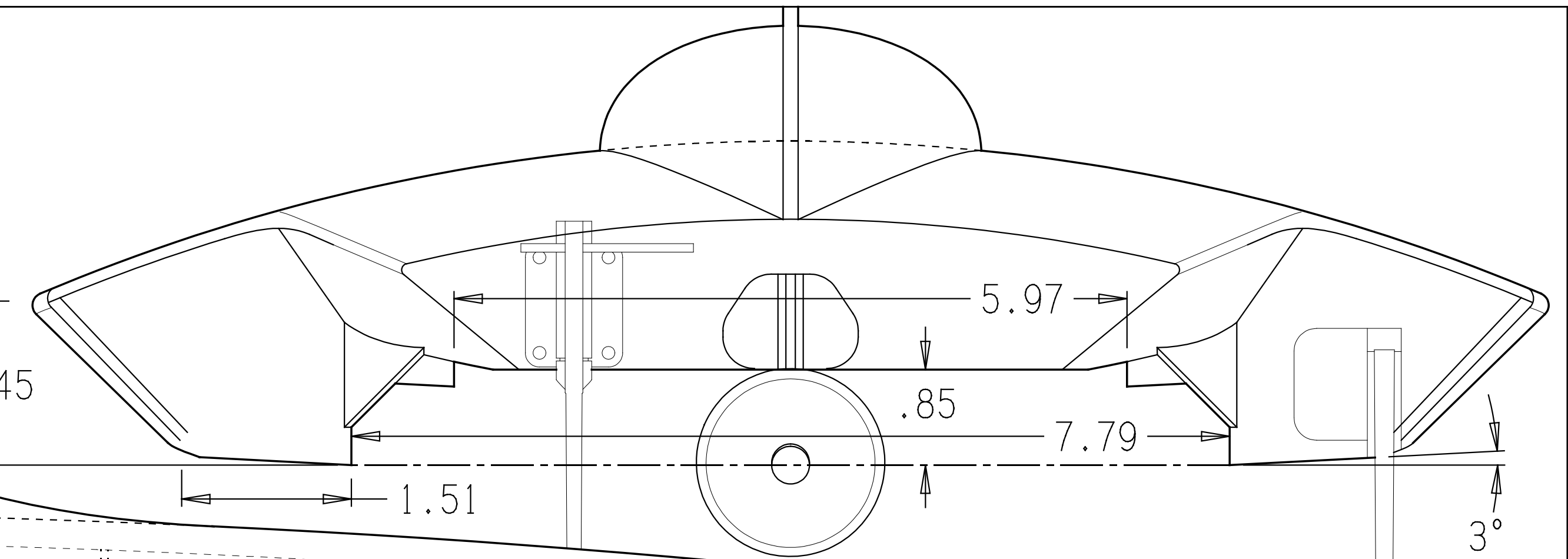
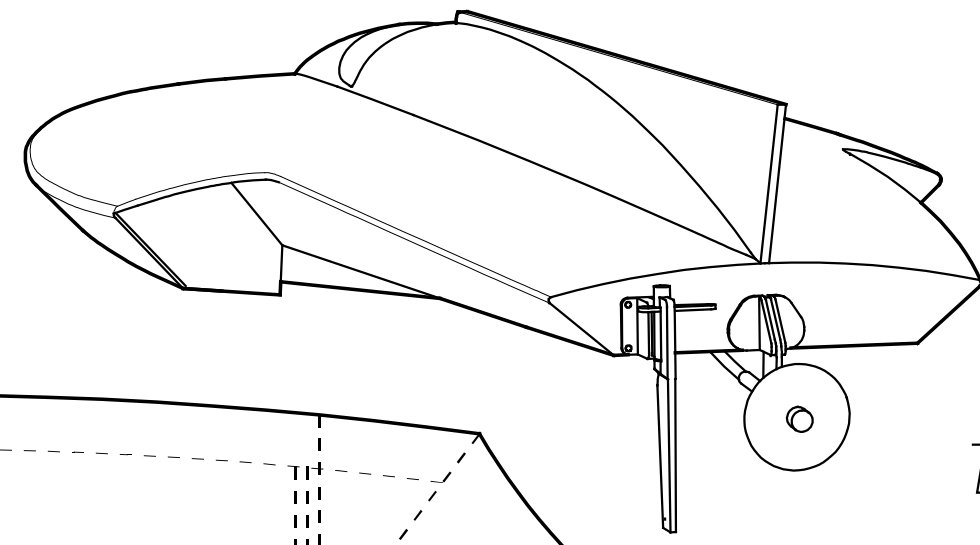
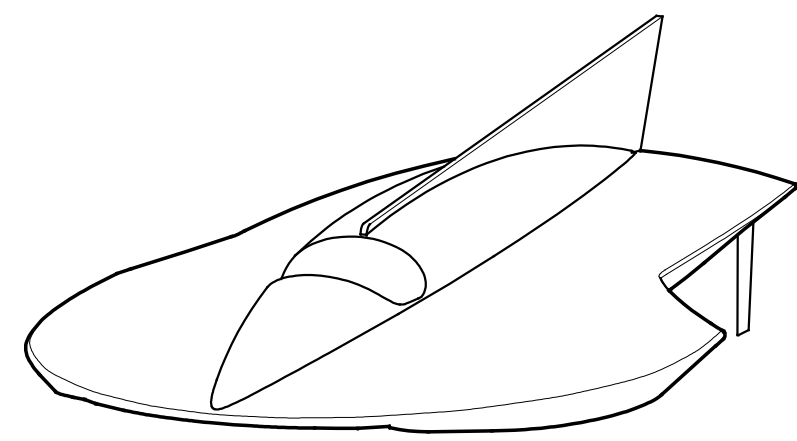


LSSH - CAB-OVER
 10/18/10 by G.Finlay



- SPECIFICATIONS:
- 30.0" LONG, 13.5" WIDE
 - 15.5" AFTER-PLANE
 - 3.0° SPONSON Angle of Attack
 - 3.0° SPONSON DIHEDRAL
 - 1.4° TUNNEL Angle of Attack

Copyright 2010 Garry Finlay and Rum Runner Racing. All rights reserved, worldwide.

