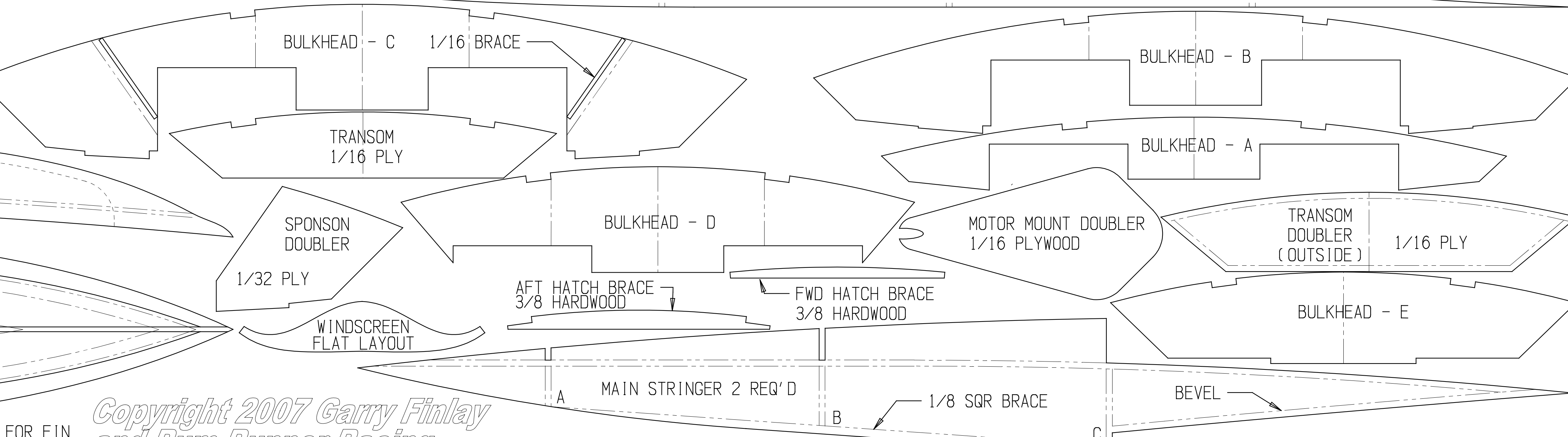
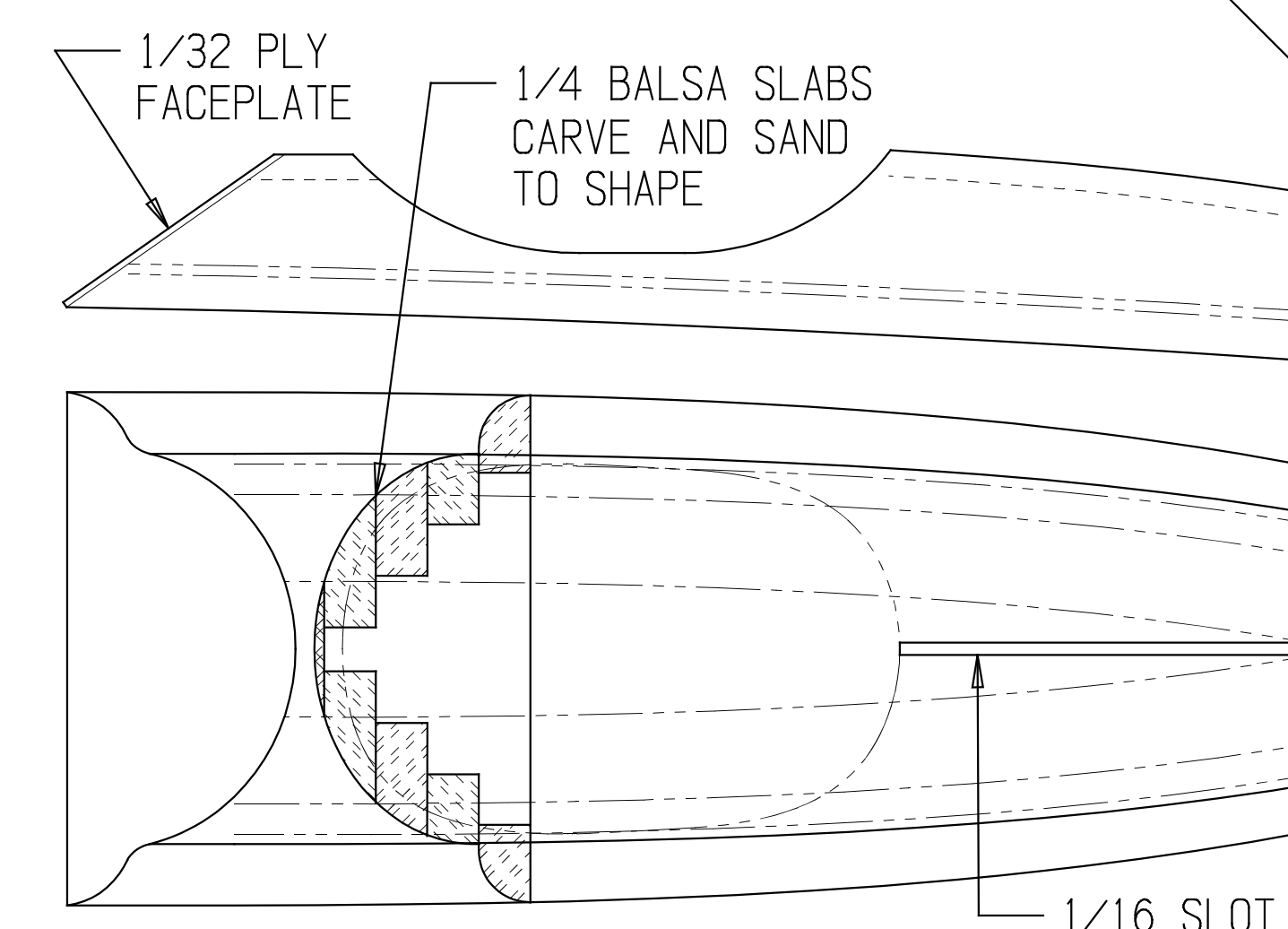
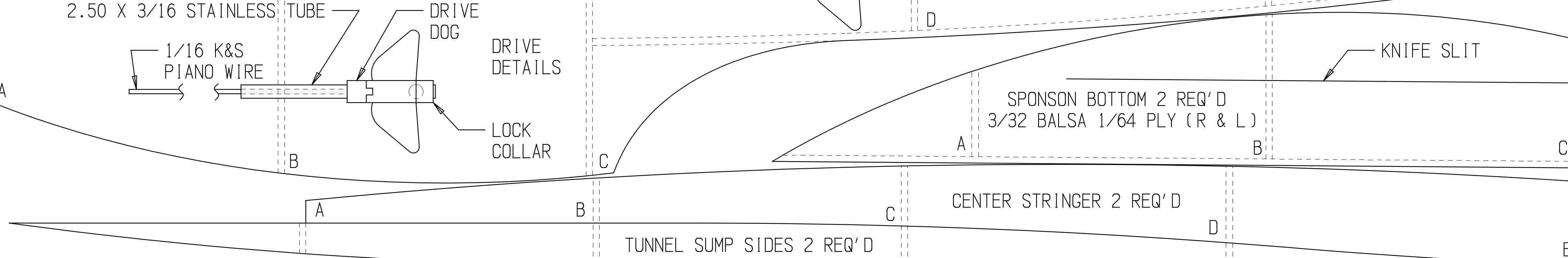
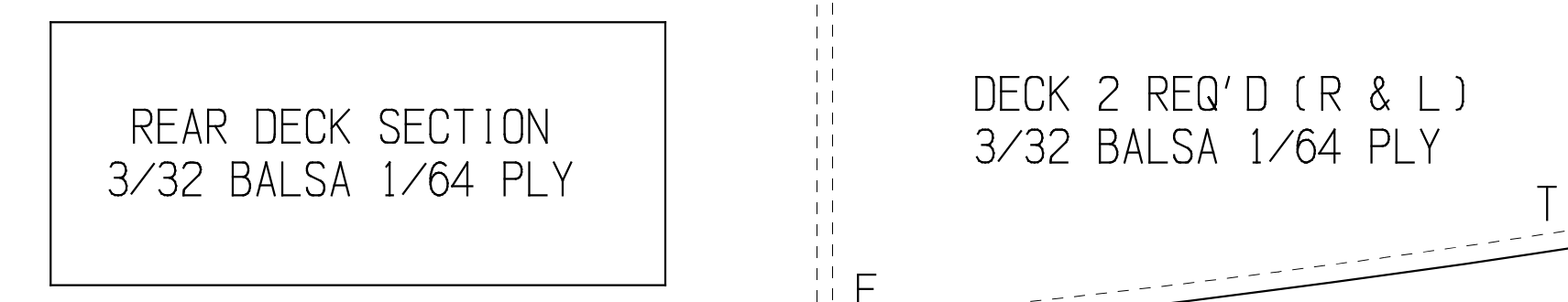
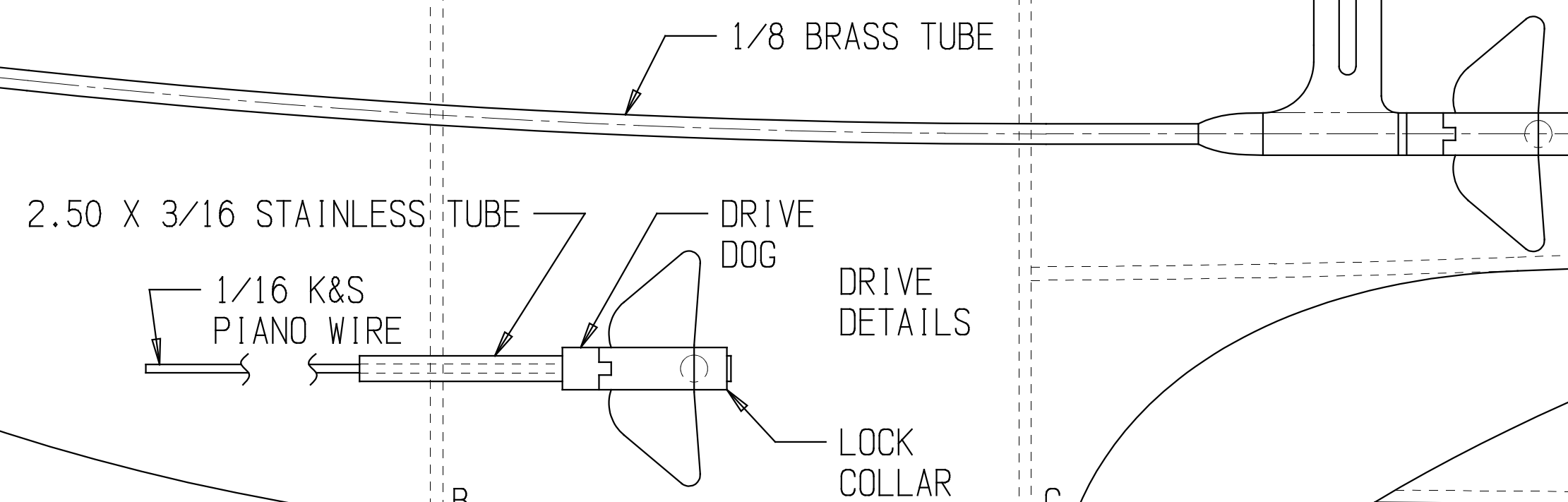
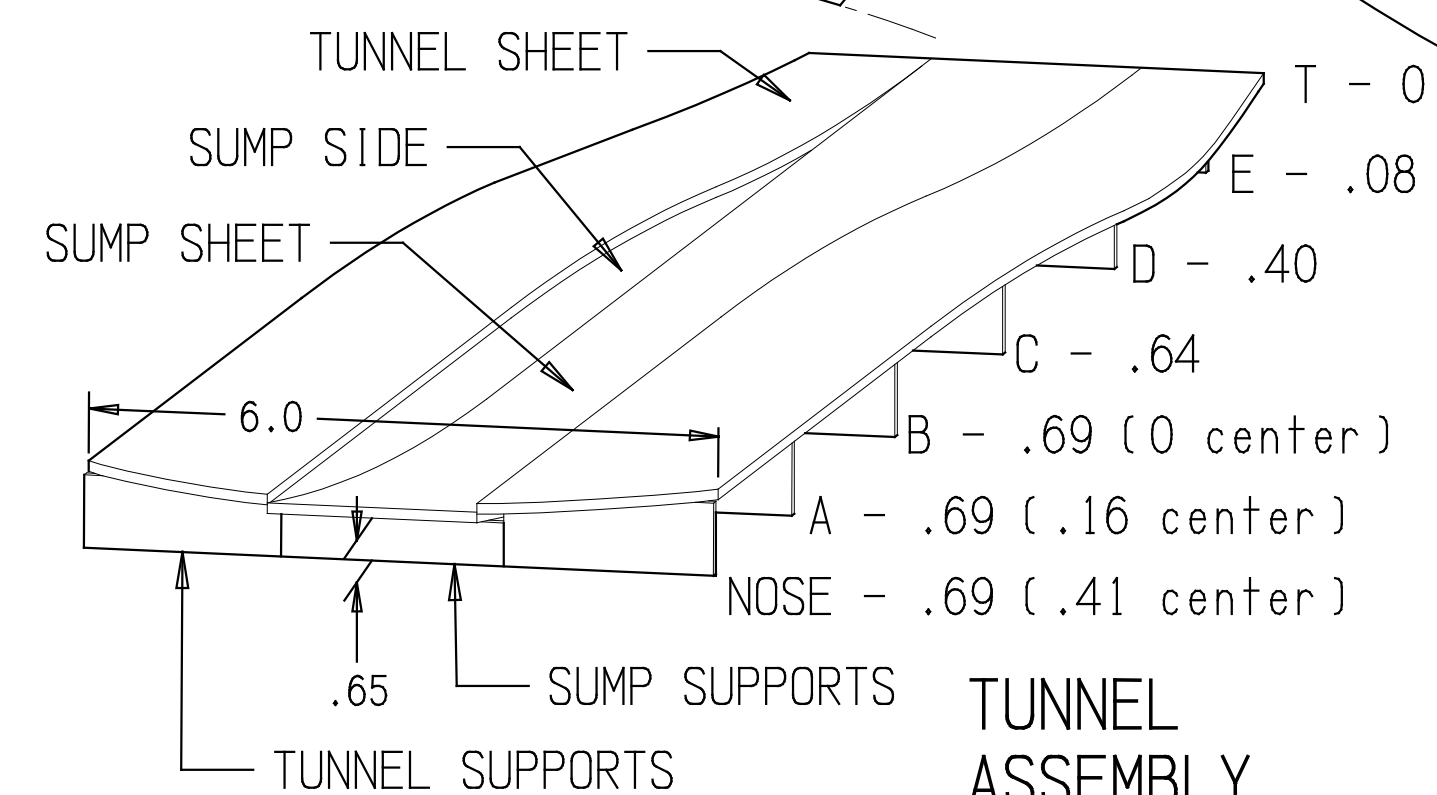
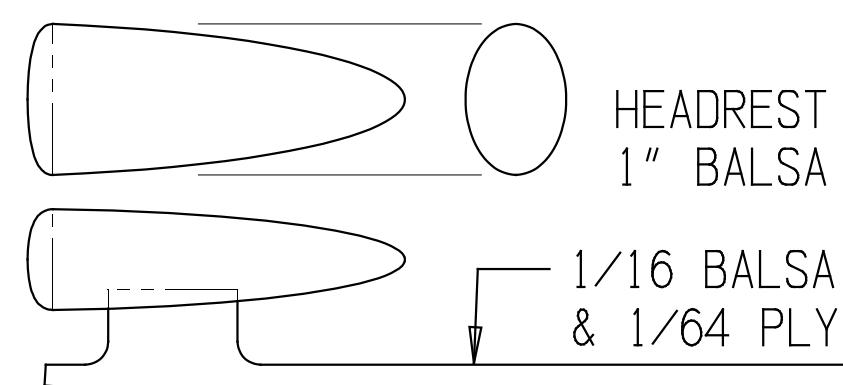
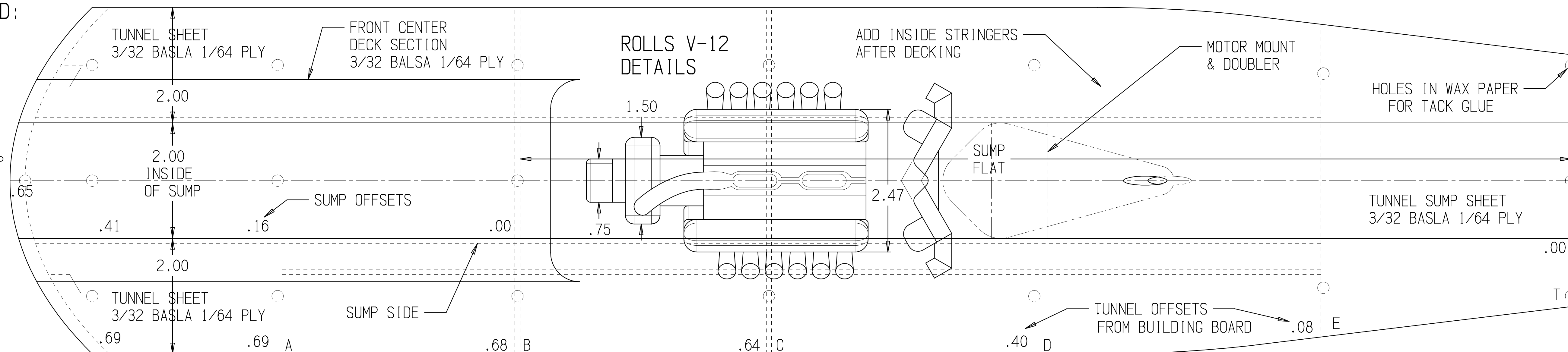
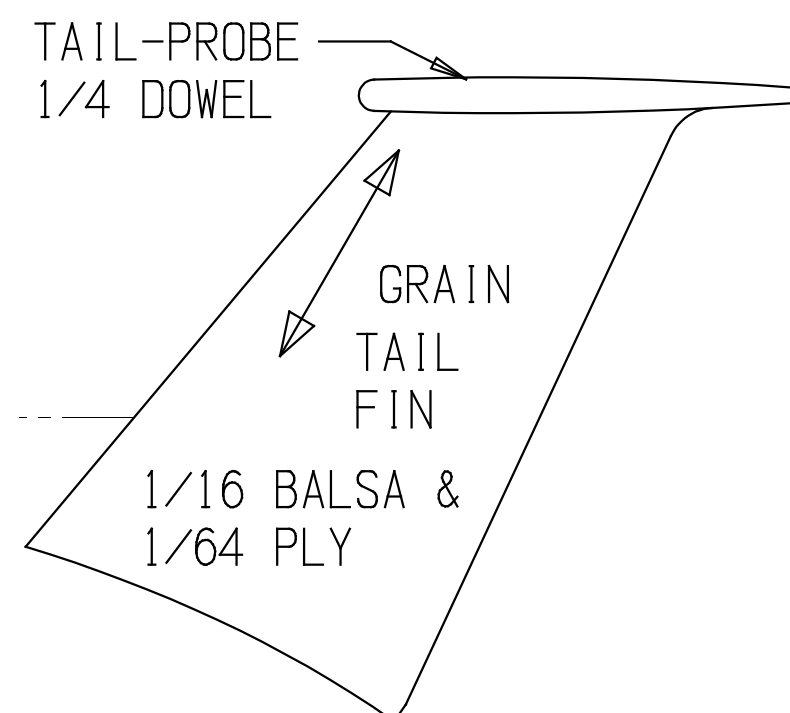
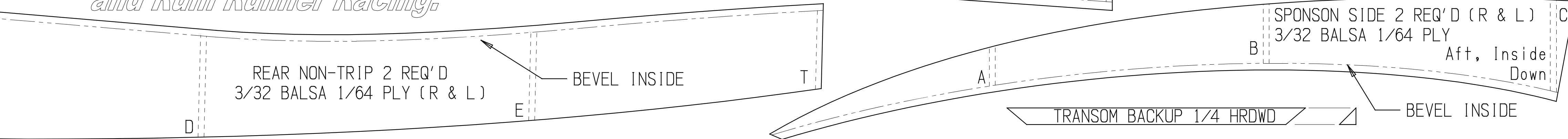


UNLESS OTHERWISE NOTED:  
 ALL DRAWINGS FULL SCALE  
 DIMENSIONS ARE IN INCHES  
 ALL SHEETS:  
 3/32 FIRM BALSA  
 GRAIN DIRECTION



27" N2-SPORT HYDRO  
 1969 U-7 NOTRE DAME  
 1/13.3 SCALE UNLIMITED HYDROPLANE  
 SHEET 2 of 2 11/02/07 by: G.Finlay



Copyright 2007 Garry Finlay  
 and Rum Runner Racing.