

CUT OUT A 1.25 X 11.25 X 44 BUILDING BOARD, MARK BASE PATTERN, COVER WITH WAX PAPER.

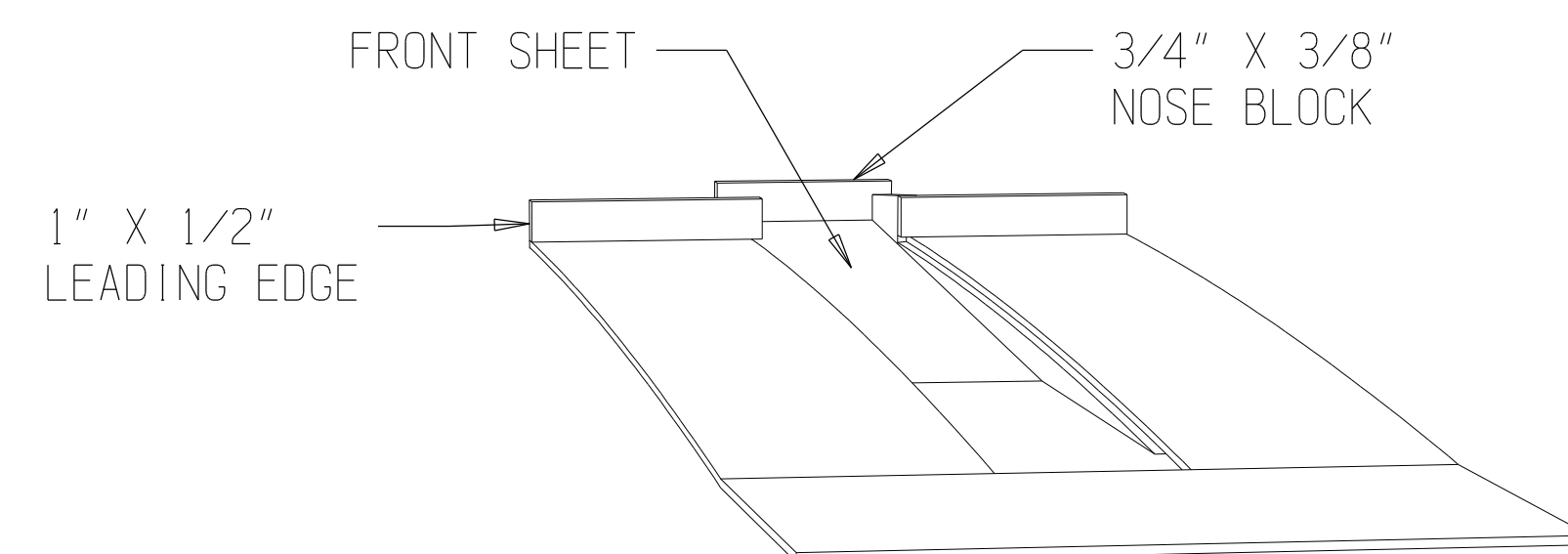
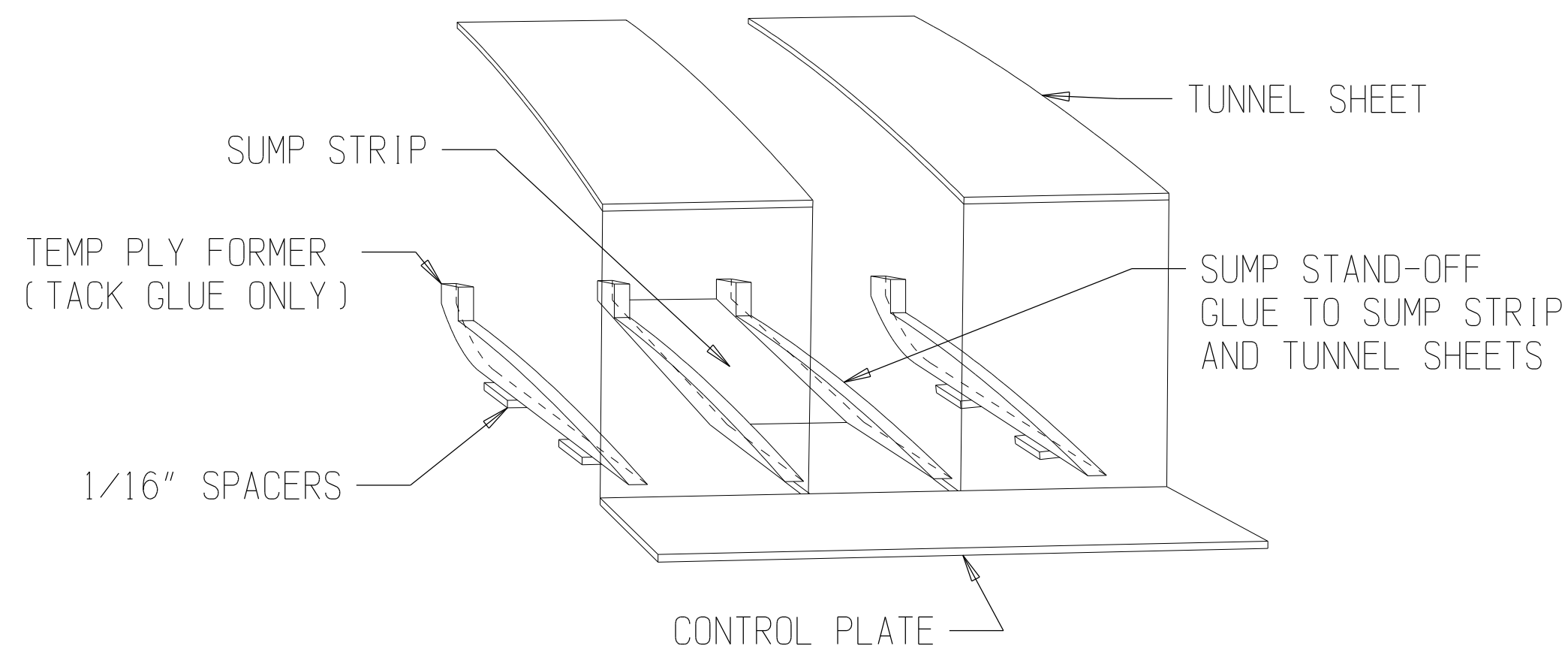
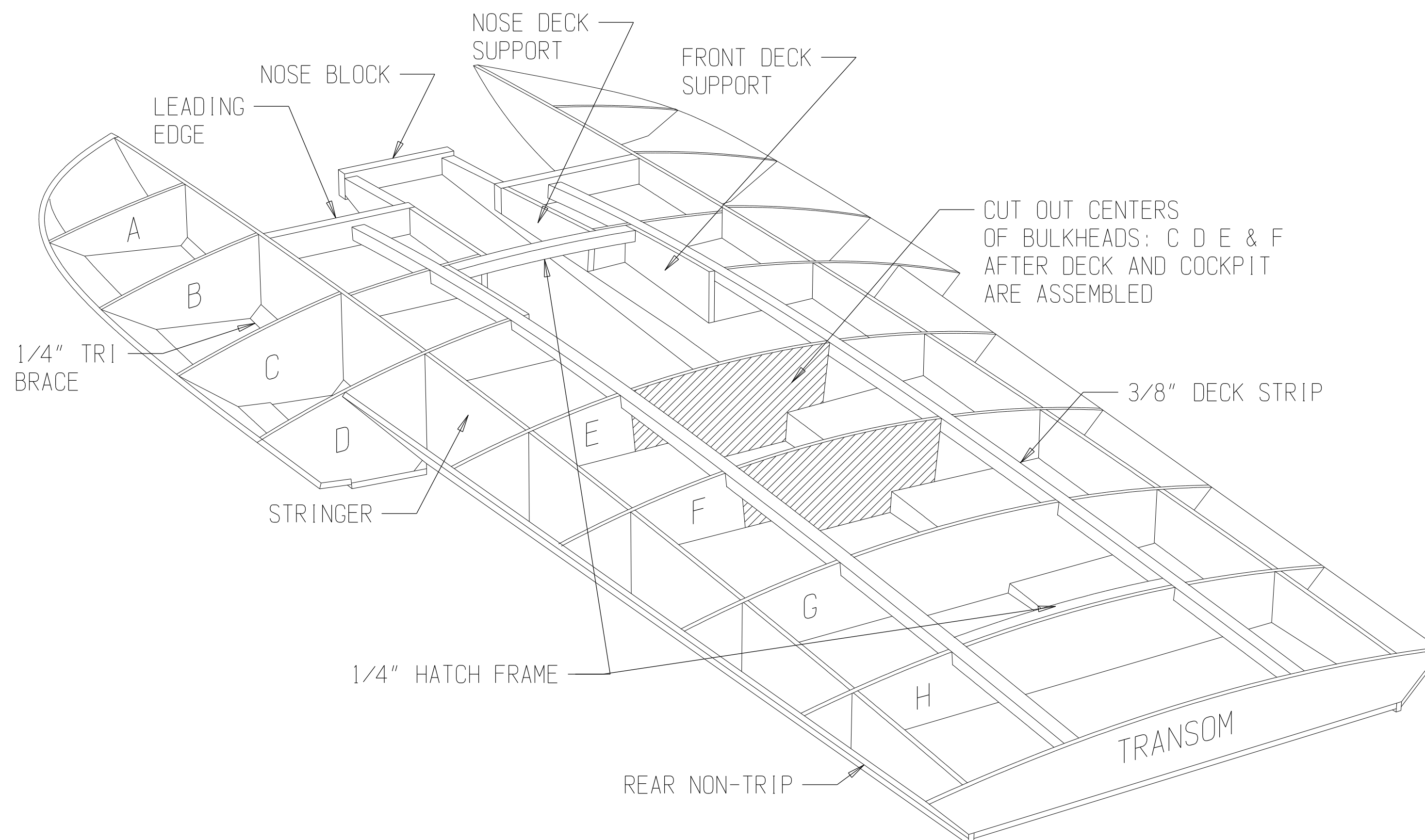
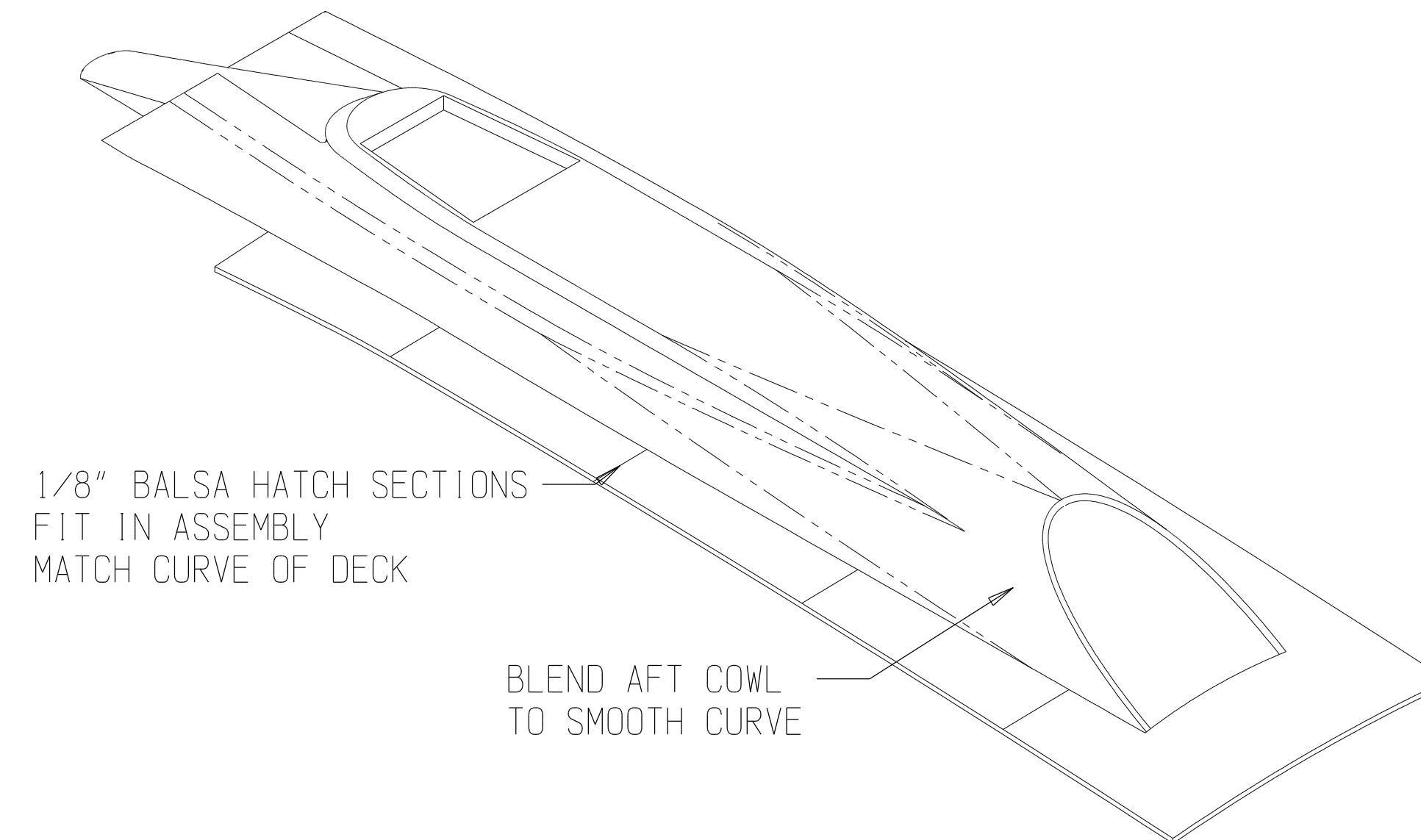
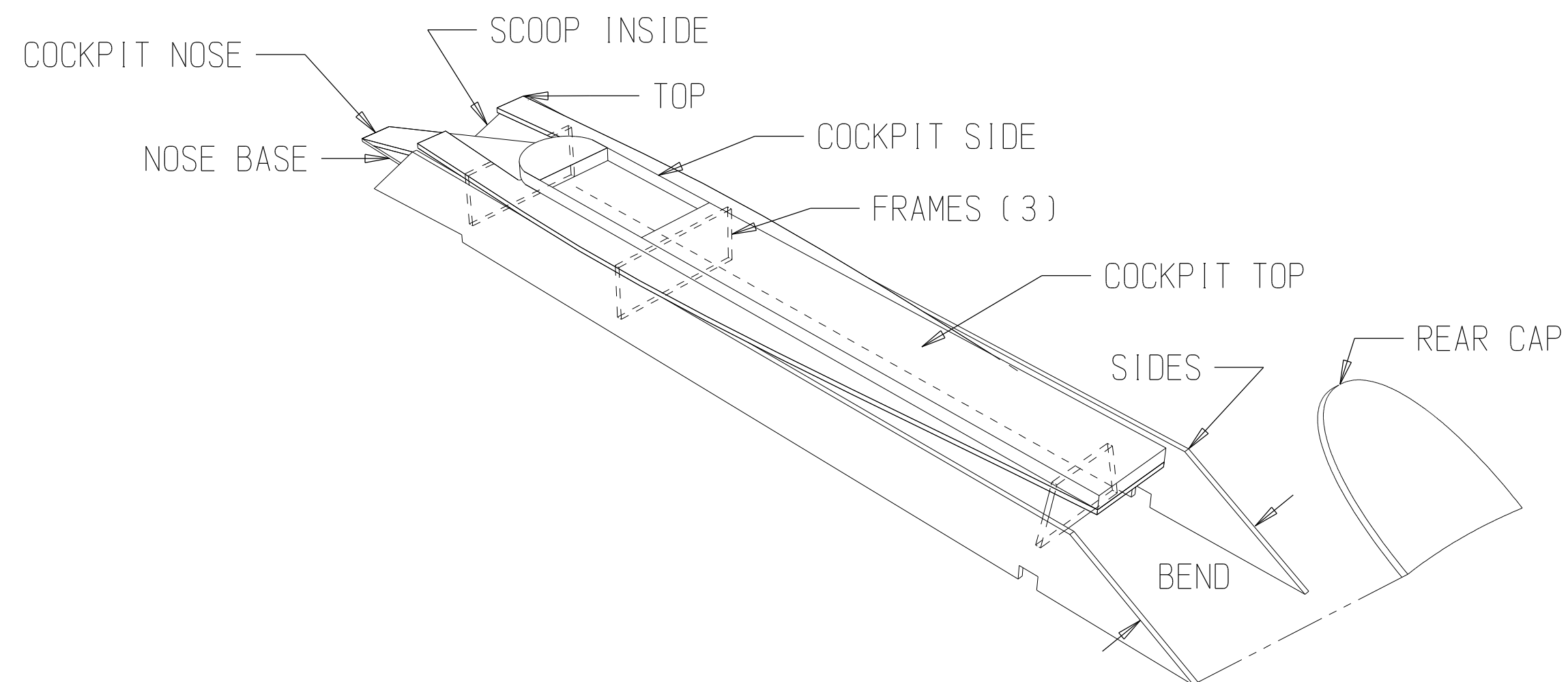
TACK GLUE TUNNEL FORMERS, SPACERS, SUMP STRIP AND CONTROL PLATE TO BOARD.
 GLUE SUMP STANDOFF, TUNNEL STRIPS OVER SUMP STRIP JUST TACK GLUE TO FORMER.
 GLUE LEADING EDGE BLOCKS IN PLACE.
 GLUE .25 TRIANGULAR STRIPS, BULKHEADS A & B TO STRINGERS.
 GLUE DOUBLER TO THE TRANSOM.

ASSEMBLE AND GLUE STRINGERS, BULKHEAD D, TRANSOM TO TUNNEL ASSEMBLY.
 CHECK ALIGNMENT AND GLUE REMAINING BULKHEADS IN POSITION.
 BEVEL BASE OF REAR NON-TRIP PANELS, GLUE IN PLACE.
 GLUE .25 DECK STRIPS TO THE TOPS OF BULKHEADS.
 BEND SPONSON BOTTOM SHEETS TO MATCH THE CURVE OF BULKHEADS, GLUE IN PLACE.
 ADD SPONSON SIDES, SAME AS THE BOTTOM.
 GLUE PLY DOUBLERS TO RIGHT SPONSON TRANSOM FOR TURN FIN MOUNT.

APPLY CONTACT CEMENT TO TOP EDGES OF FRAMEWORK AND INSIDE OF DECK.
 LINE UP DECK TO THE INSIDE EDGE OF PICKLE-FORK AND CAREFULLY TOUCH DOWN AT BULKHEAD D.
 LAY DECK DOWN ALONG CENTER OF DECK STRIP TO TRANSOM, PULL IT DOWN TO MEET REST OF THE OPEN STRUCTURE.
 ADD CA TO OUTSIDE SEAMS. TRIM DECK EDGES FLUSH WITH SIDE PANELS.
 REMOVE FORMERS. PLANE OR SAND A .38 X 45DEG BEVEL ON INSIDE OF THE SPONSONS.
 ADD FRONT DECK EXTENSION SUPPORTS, DECK, NOSE SUPPORTS.
 GLUE FRONT, REAR DECK SECTIONS IN PLACE.
 CUT CENTERS OUT OF BULKHEADS C, D, E, F.

ASSEMBLE COWL NOSE BASE, COCKPIT SIDES, FRAMES IN POSITION OVER HULL.
 BEND SIDES TO FIT FRAMES, GLUE TOGETHER.
 GLUE COWL TOP IN PLACE.
 TRIM AND FIT 2 OR 3 LONG .12 Balsa HATCH SHEETS BETWEEN COWLING SIDES AND DECK.
 GLUE IN PLACE (NOT TO DECK), SAND TO MATCH DECK PROFILE.
 ADD COCKPIT TOP THEN PLANE OR SAND REAR PROFILE TO SHAPE SHOWN.
 GLUE COCKPIT FRONT PIECE IN PLACE.
 ADD THE INSIDE SCOOP WALLS AND SAND THE FRONT PROFILE TO SHAPE.
 ADD THE COCKPIT NOSE AND FILLER PIECES TO THE OPENINGS ON THE SIDES.
 TRIM THE REAR CAP TO FIT INSIDE THE MOTOR HOOD OPENING AND GLUE.

CUT THE TURBINE EXHAUST FROM .015 ALUMINUM SHEET.
 FORM AND GLUE THIS IN PLACE AFTER PAINTING.
 LAMINATE THE WING AND VERTICAL FINS WITH THE GRAIN CROSSING AS SHOWN.
 SAND TO AN AIRFOIL SHAPE.
 GLUE THESE TOGETHER AND PAINT BEFORE FINAL ASSEMBLY.



1/8th SCALE PAY'N PAK
 by: G.Finlay 06/22/05