

REAR DECK

3/32 Balsa LAMINATED W/ 1/64 PLY OR MAHOGANY

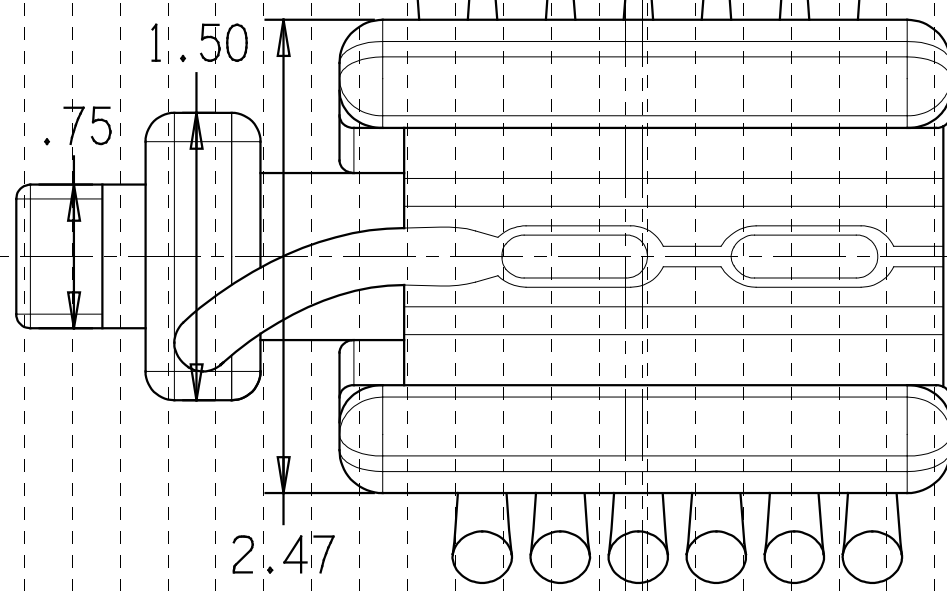
1.25 TEMP. STAND-OFF

6.25

.125 STAND OFF

BOTTOM SHEET DETAIL

ROLLS V-12 DETAILS



TUNNEL FLAT ON BUILDING BOARD

1/16 PLY MOTOR MOUNT DOUBLER

MOTOR MOUNT LOCATION

TUNNEL 3/32 Balsa LAMINATED W/ 1/64 PLY

HOLE THRU WAX PAPER FOR GLUE

3/32" CROSS-GRAIN Balsa LAMINATED WITH 1/64 PLY ON INSIDE FROM B TO F

C

D

DECK SIDE 3/32 Balsa 2 - REQ'D LAMINATED W/ 1/64 PLY OR MAHOGANY

E

F

G

T

DECK CENTER 3/32 Balsa LAMINATED W/ 1/64 PLY OR MAHOGANY

6.25

SPONSON SIDE 3/32 Balsa LAMINATED W/ 1/64 PLY 2 - REQ'D

BEVEL

OUT

IN

SPONSON BOTTOM 3/32 Balsa LAMINATED W/ 1/64 PLY 2 - REQ'D

UNLESS OTHERWISE SPECIFIED: ALL PARTS ARE 3/32" Balsa GRAIN DIRECTION

GRAIN DIRECTION

STRINGER 2 - REQ'D

LAMINATE WITH PLY OR MAHOGANY AFTER ASS'Y

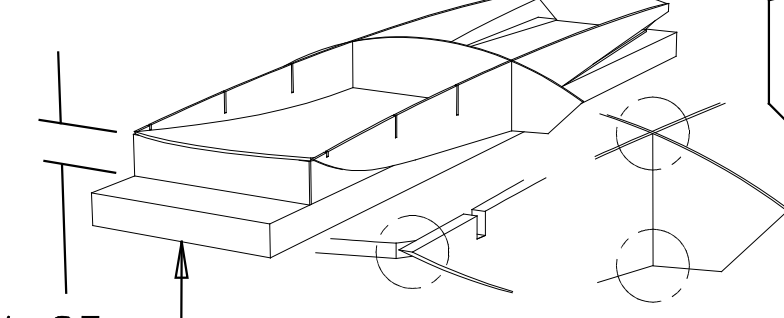
3/32 Balsa W/ 1/64 PLY - 2 REQ'D REAR NON-TRIP

BEVEL

OUT

IN

1 ASSEMBLE BLKD-D, TRANSOM, TUNNEL AND STRINGERS



BULKHEAD - G

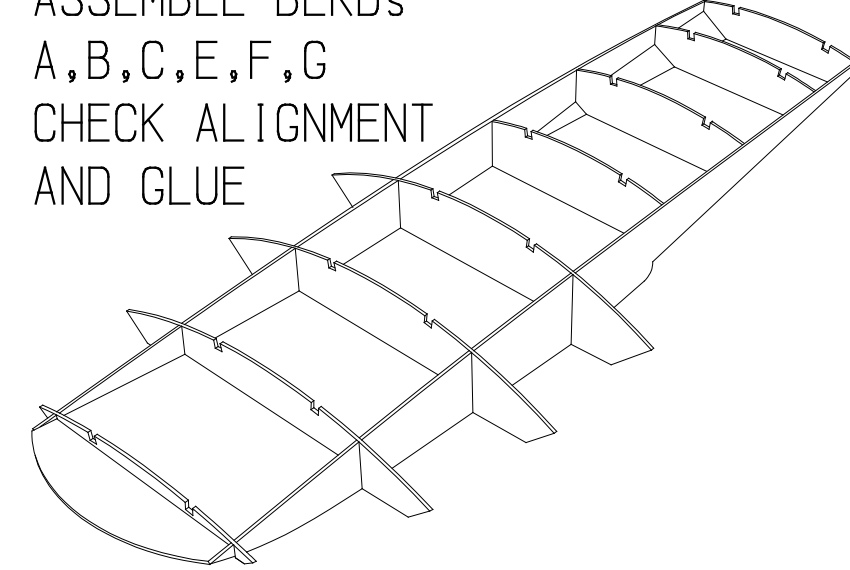
BULKHEAD - E CUT-OUT AFTER DECKING

BULKHEAD - D

1/8 X 1/4 HARDWOOD BRACE

CUT-OUT AFTER DECKING

2 ASSEMBLE BLKDs A,B,C,E,F,G CHECK ALIGNMENT AND GLUE



1.25 1X6.25X30 BOARD

TRANSOM 1 - 1/32 PLY (INSIDE) 1 - 3/32 Balsa (MIDDLE)

TRANSOM DOUBLER 1/32 PLY (OUTSIDE)

BULKHEAD - F

BULKHEAD - C

CUT-OUT ONLY FOR LiPo CELLS

1/12th SCALE HYDRO

3 ADD DECK STRIPS NOSE BRACE REAR NON-TRIPS SPONSON BOTTOMS & SIDES

NOSE BRACE

INSIDE DOUBLER 1/32 PLY

SPONSON DOUBLER 1/32 PLY

BULKHEAD - B

1/8 SQR HARDWOOD BRACE

WINDSCREEN FLAT LAYOUT